



1. GENERAL INFORMATION

1.1 | DEALER INFORMATION

Dealer Name _____

Address _____

City _____ State _____ Zip _____

Phone # _____ Fax # _____

Email _____

Project Name: _____

Purchase Order # _____

Contact Name: _____

Phone # _____

Email: _____

Ship-to Address:

Name _____

Address _____

City _____ State _____ Zip _____

Contact Name: _____

Contact Phone # _____

1.4 | TYPE OF DELIVERY

- Pick-up at Terminal Onsite Forklift
- Loading Dock Flatbed and Forklift
- Liftgate - Ground Delivery

1.5 | FORM TYPE

- PURCHASE ORDER
- REQUEST FOR QUOTE

2. PLATFORM CONFIGURATION

2.1 | APPLICATION

- VIS-RES RESIDENTIAL N/C
- VIS-COM COMMERCIAL

2.2 | TRAVEL HEIGHT

EXACT TRAVEL HEIGHT IN INCHES: _____
MEASURE FROM TOP LANDING TO FLOOR/PIT BOTTOM

- VIS-44 44" (1118 mm) TOWER: 72"
- VIS-64 64" (1625 mm) TOWER: 92"
- VIS-78 78" (1981 mm) TOWER: 108"
- VIS-98 98" (2489 mm) TOWER: 126"
- VIS-115 115" (2921 mm) TOWER: 168"
- VIS-130 130" (3302 mm) TOWER: 168"

2.3 | POWER SUPPLY

- VIS-AC 120VAC, 60Hz 1HP AC MOTOR (20A, GFCI OUTLET) N/C
- VIS-DC 24DC, BATTERY PACK

2.4 | CAB HEIGHT

- VIS-SD 42" STANDARD CAB N/C
- VIS-130 80" INDOOR FULL CAB (WOODEN MELAMINE)
- VIS-CA PLATFORM CANOPY
- VIS-FC OUTDOOR - FULL CAB (+2 GATES/ROOF)

2.5 | WING WALLS

- VIS-W64 64" TRAVEL (1625 mm)
- VIS-W78 78" TRAVEL (1981 mm)
- VIS-W98 98" TRAVEL (2489 mm)
- VIS-W115 115" TRAVEL (2921 mm)
- VIS-W130 130" TRAVEL (3302 mm)
- VIS-GFI GFCI PLUG (INSTALLED IN WING WALL)

2.6 | DIMENSIONS

- VIS-STD 34" X 54" (864 mm X 1372 mm) N/C
 - VIS-STD 34" X 60" (864 mm X 1524mm) N/C
 - VIS-STD 36" X 54" (915 mm X 1372 mm) N/C
 - VIS-STD 36" X 60" (915 mm X 1524 mm) N/C
 - VIS-CD CUSTOM SIZE - MAX 42" X 66" (1067mm X 1677mm)*
- CUSTOM SIZE IN INCHES: _____ WIDTH X _____ HEIGHT
* CHOOSE BETWEEN 30" to 42" WIDTH X 46" to 66" HEIGHT*

2.7 | COLOR

- VIS-STC ATLAS GRAY (STANDARD) N/C
- VIS-COL CUSTOM COLOR (RAL UNIVERSAL CHART)
- VIS-STL STAINLESS STEEL

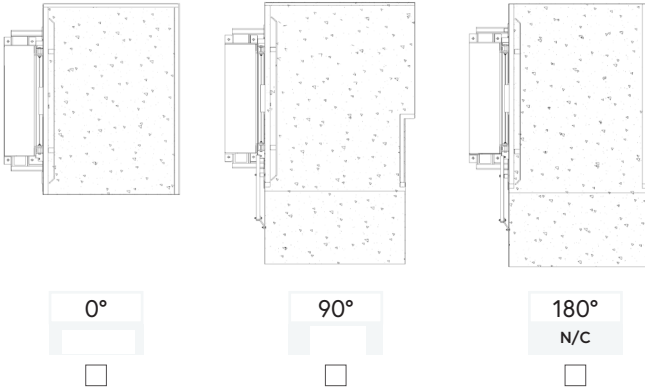
2.8 | LOAD CAPACITY

- VIS-750 750 LBS CAPACITY (STANDARD) N/C
- VIS-100 1000 LBS CAPACITY

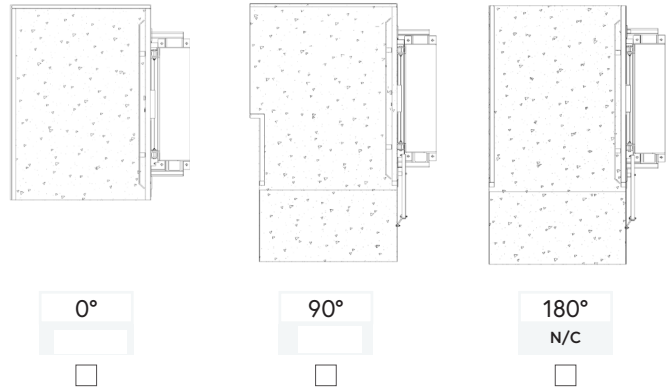
Authorizing signature of person placing this order: _____

2.9 CAB CONFIGURATION (CHECK ONE)

TOWER ON LEFT



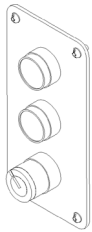
TOWER ON RIGHT



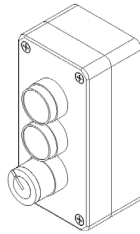
3. CALL STATIONS

3.1 | CALL STATION OPTIONS (PLEASE SELECT YOUR CONFIGURATION)

VIS-CS | CALL STATIONS (FLUSH MOUNTED, SURFACE MOUNTED, CALL POST, TOP GATE FRAME MOUNTED)



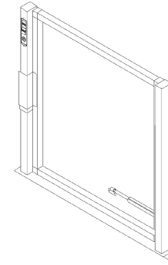
FLUSH MOUNTED
BOTTOM TOP



SURFACE MOUNTED
BOTTOM TOP



CALL POST
BOTTOM TOP



TOP GATE FRAME MOUNTED
TOP ONLY

3.2 | KEY TYPE

<input type="checkbox"/> VIS-NK	NO KEY	N/C
<input type="checkbox"/> VIS-455	TYPE 455	N/C
<input type="checkbox"/> VIS-225	TYPE 2252 (INCLUDED IN COMMERCIAL KIT)	<input type="checkbox"/>

3.3 | CONTROLLER OPTIONS

<input type="checkbox"/> VIS-RS	STANDARD ROCKER SWITCH	N/C
<input type="checkbox"/> VIS-60C	60MM CALL STATION BUTTON	
<input type="checkbox"/> VIS-60S	60MM COP BUTTON	
<input type="checkbox"/> VIS-JOY	JOYSTICK	
<input type="checkbox"/> VIS-2CO	ADDITIONAL COP (ONE ON EACH SIDE)	
<input type="checkbox"/> VIS-LB	LIGHTED BUTTONS (EACH)	

4. GATES AND DOORS

4.1 LOWER LANDING ENTRANCE (INTERLOCK INCLUDED)

4.1.1 | PLATFORM GATES

CHOOSE AN ORIENTATION:

* WHEN FACING THE GATE/DOOR FROM OUTSIDE OF THE PLATFORM *

LEFT
 RIGHT

- VIS-PG | 34" OR 36" WIDTH X 42" HEIGHT
- VIS-PG8 | 32", 38", 40", 42" WIDTH X 42" HEIGHT

4.1.2 | DOORS

- VIS-WD6 | 36" W X 80" H - INTERIOR WOODEN FLUSH DOOR
- VIS-ED6 | 36" W X 80" H - EXTERIOR FLUSH DOOR
- VIS-WD8 | 38" W X 80" H - INTERIOR WOODEN FLUSH DOOR
- VIS-ED8 | 38" W X 80" H - EXTERIOR FLUSH DOOR
- VIS-LD6 | 36" W X 80" H - LEXAN DOOR
- VIS-LD8 | 38" W X 80" H - LEXAN DOOR
- VIS-FR1 | 36" W X 80" H - STEEL FIRE RATED 1.5 HRS
- VIS-FR2 | 38" W X 80" H - STEEL FIRE RATED 1.5 HRS

4.2 UPPER LANDING ENTRANCE (INTERLOCK INCLUDED)

4.2.1 | TOP GATES

CHOOSE AN ORIENTATION:

* WHEN FACING THE GATE/DOOR FROM OUTSIDE OF THE PLATFORM *

LEFT
 RIGHT

- VIS-TG | 34" OR 36" WIDTH X 42" HEIGHT
- VIS-TG8 | 32", 38", 40", 42" WIDTH X 42" HEIGHT
- VIS-TG0 | 34" OR 36" W X 42" H WITHOUT INTERLOCK
- VIS-TG1 | 32", 38", 40", 42" W X 42" H WITHOUT INTERLOCK
- VIS-TNI | INTERLOCK SWITCH ONLY

4.2.2 | DOORS

- VIS-WD6 | 36" W X 80" H - INTERIOR WOODEN FLUSH DOOR
- VIS-ED6 | 36" W X 80" H - EXTERIOR FLUSH DOOR
- VIS-WD8 | 38" W X 80" H - INTERIOR WOODEN FLUSH DOOR
- VIS-ED8 | 38" W X 80" H - EXTERIOR FLUSH DOOR
- VIS-LD6 | 36" W X 80" H - LEXAN DOOR
- VIS-LD8 | 38" W X 80" H - LEXAN DOOR
- VIS-FR1 | 36" W X 80" H - STEEL FIRE RATED 1.5 HRS
- VIS-FR2 | 38" W X 80" H - STEEL FIRE RATED 1.5 HRS

5. AUTOMATIC DOOR AND GATE OPERATORS

- VIS-DCL | DOOR CLOSER (REQUIRED IF NO DOOR OPERATOR INSTALLED)
- VIS-AGT | AUTOMATIC GATE OPERATOR (RESIDENTIAL ONLY)
- VIS-DOR | AUTOMATIC DOOR OPENER (RESIDENTIAL)
- VIS-DOC | AUTOMATIC DOOR OPENER (COMMERCIAL)
- VIS-REM | WIRELESS REMOTE (2X)
- VIS-INT | HONEYWELL INTERLOCK SWITCH
- VIS-PRE | GATE OPENER PRE-INSTALLATION

QUANTITY	TOTAL

6. ADDITIONAL OPTIONS

- VIS-HR | GRAB RAIL (INCLUDED IN COMMERCIAL KIT)
- VIS-LG | LEXAN GATE
- VIS-DES | DESIGNED GATE
- VIS-90E | 90° EMERGENCY LOWERING DEVICE
- VIS-SEA | FOLDING SEAT + HARDWARE (INSTALLATION NOT INCLUDED)
- VIS-LIG | PLATFORM LIGHTING (INCLUDED IN COMMERCIAL KIT)
- VIS-DSC | MAIN DISCONNECT (INCLUDED IN COMMERCIAL KIT)
- VIS-FBR | FRONT PANEL WITH BRUSHES
- VIS-COR | ANTI-CORROSION KIT (FOR INSTALLATIONS NEAR POOLS, WATER)

ADDITIONAL OPTIONS CONTINUED ON THE NEXT PAGE

(6. ADDITIONAL OPTIONS CONT.)

<input type="checkbox"/>	VIS-BBR	SUPPORT BACK BRACKETS (FIXED INTO CONCRETE SLAB)						
<input type="checkbox"/>	VIS-LBR	SUPPORT BACK BRACKETS (FIXED INTO SUPPORT WALL)						
<input type="checkbox"/>	VIS-KIT	INSTALLATION KIT (WIRES, CONNECTORS, HARDWARE)						
<input type="checkbox"/>	VIS-CFL	CUSTOM SIZED FOLDING RAMP						
<input type="checkbox"/>	VIS-TEL	HANDS-FREE PHONE						
<input type="checkbox"/>	VIS-PNT	TOUCH-UP PAINT	<table border="1"> <tr> <th>QUANTITY</th> <th>TOTAL</th> </tr> <tr> <td></td> <td></td> </tr> </table>	QUANTITY	TOTAL			
QUANTITY	TOTAL							

7. PORTABLE VISTA

7.1 | PORTABLE WITH 2 GATES

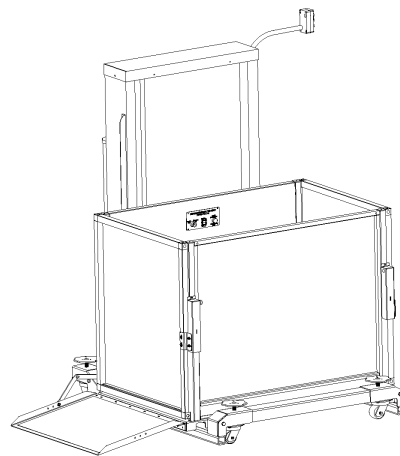
<input type="checkbox"/>	POR-4452	TRAVEL 44" - 36" X 54"	
<input type="checkbox"/>	POR-4462	TRAVEL 44" - 36" X 60"	
<input type="checkbox"/>	POR-6452	TRAVEL 64" - 36" X 54"	
<input type="checkbox"/>	POR-6462	TRAVEL 64" - 36" X 60"	

INCLUDES: 2 PLATFORM GATES, 2 CALL STATIONS, GRAB RAIL, FOLDING RAMP

7.2 | PORTABLE WITH 1 GATE

<input type="checkbox"/>	POR-4451	TRAVEL 44" - 36" X 54"	
<input type="checkbox"/>	POR-4461	TRAVEL 44" - 36" X 60"	
<input type="checkbox"/>	POR-6451	TRAVEL 64" - 36" X 54"	
<input type="checkbox"/>	POR-6461	TRAVEL 64" - 36" X 60"	

INCLUDES: 2 PLATFORM GATES, 2 CALL STATIONS, GRAB RAIL, FOLDING RAMP



8. CUSTOM REQUIREMENTS AND DRAWINGS

8.1 | NOTES

8.2 | DRAWINGS

PLEASE DRAW OR SKETCH THE PLATFORM'S LOCATION AND ORIENTATION IN RESPECT TO THE JOB SITE.

PLEASE INCLUDE: BOTTOM AND TOP LANDING GATE/DOOR AND PLATFORM TOWER.